

INSTRUCTIONS FOR INSTALLING A DECORATIVE WALNUT CAP KIT OR SIDE PANELS ON NATIONAL VENDORS[®], CROWN SEVENTY TWO[®], MERCHANDISERS

The Decorative Walnut Cap comes in three sizes. Each size has a Styrofoam Block and Retaining Channel which can be used to convert the Cap into a Flower Box by the addition of artificial leaves and flowers.

The 38 inch Decorative Walnut Cap Kit, part number 117-0200, fits all Crown Seventy Two, 21CE-72, 22M-72, 18M-72, CM-72, MM-72, PM-72, CDM-72, CDM-72A, CDM-312, ECM-72, EPM-72, 140 Showcase, 141 Showcase, HBM-72, HBM-72Q, HBM-614, HBM-618, HCM-72, and HCM-72C Merchandisers.

The 38 inch Decorative Walnut Cap Kit, part number 417-0203, fit all Crown Seventy Two, FM-72A, FM-72B, and FM-72C Merchandisers.

The 36 inch Decorative Walnut Cap Kit, part number 413-0200 fits the Crown Seventy Two, Wittenborg 400-72 Merchandiser.

The 35-1/2 inch Decorative Walnut Cap Kit, part number 410-0200, fits the Crown Seventy Two, ICM-72 Merchandiser.

The 38 inch Decorative Walnut Cap Kit, part number 117-0200 consists of:

Part Number	Description	Quantity
117-0201	38 Inch Cap Panel Assembly	1
117-0203	38 Inch Cap Spacer	1
117-0204	Cap Panel Bracket attaching parts - parts 117-0203 & 117-0204 to 117-0201	2
117-0206	No.8-32 x 3/8", Slotted Truss Head Screw	4
9900-029	No.8-32 Nut * * *	4
117-0208	Styrofoam Retaining Channel attaching parts - parts 117-0208 to 117-0204	1
117-0206	No.8-32 x 3/8", Slotted Truss Head Screw	2
9900-029	No.8-32 Nut * * *	2
117-0209	Styrofoam Block * * *	1
114-1043	attaching parts, Cap Assembly to Merchandiser No.10-32 x 1/4", Slotted Acorn Head Self-tapping Screw * * *	4
117-0212	Installation Instructions * * *	1

The 38 inch Decorative Walnut Cap Kit, part number 417-0203 consists of:

Part Number	Description	Quantity
117-0201	38 Inch Cap Panel Assembly	1
417-0202	FM-72 Cap Spacer	1
117-0204	Cap-Panel Bracket attaching parts - parts 417-0202 & 117-0204 to 117-0201	2
117-0206	No.8-32 x 3/8", Slotted Truss Head Screw	4
9900-029	No.8-32 Nut * * *	4
117-0208	Styrofoam Retaining Channel attaching parts - parts 117-0208 to 117-0204	1
117-0206	No.8-32 x 3/8", Slotted Truss Head Screw	2
9900-029	No.8-32 Nut * * *	2
114-1043	attaching parts, Cap Assembly to Merchandiser No.10-32 x 1/2", Slotted Acorn Head Self-tapping Screw	1
117-0209	Styrofoam Block attaching parts, Cap Assembly to Merchandiser	1
114-1043	No.10-32 1/2", Slotted Acorn Head Self-tapping Screw	4
117-0212	Installation Instructions * * *	1

The 36 inch Decorative Walnut Cap Kit, part number 413-0200 consists of:

Part Number	Description	Quantity
413-0204	36 inch Cap Panel Assembly	1
413-0202	36 inch Cap Spacer	1
117-0204	Cap Panel Bracket attaching parts - parts 413-0202 & 117-0204 to 413-0204	2
117-0206	No.8-32 x 3/8", Slotted Truss Head Screw	4
9900-029	No.8-32 Nut * * *	4
117-0208	Styrofoam Retaining Channel attaching parts - parts 117-0208 to 117-0204	1
117-0206	No.8-32 x 3/8", Slotted Truss Head Screw	2

9900-029	No.8-32 Nut * * *	2	114-1043	No.10-32 x 1/2", Slotted Acorn Head, Self-tapping Screw	2* *(per panel)
117-0209	Styrofoam Block * * *	1	117-0212	Installation Instructions * * *	1
	attaching parts, Cap Assembly to Merchandiser				
114-1043	No.10-32 x 1/2", Slotted Acorn Head Self-tapping Screw	4			
117-0212	Installation Instructions * * *	1			

The 35-1/2 inch Decorative Walnut Cap Kit, part number 410-0200 consists of:

Part Number	Description	Quantity
410-0201	35-1/2 inch Cap Panel Assembly	1
410-0203	35-1/2 inch Cap Spacer	1
117-0204	Cap Panel Bracket	2
	attaching parts - parts 410-0203 & 117-0204 to 410-0201	
117-0206	No.8-32 x 3/8", Slotted Truss Head Screw	4
9900-029	No.8-32 Nut * * *	4
410-0205	Styrofoam Retaining Channel attaching parts - parts 410-0205 to 117-0204	1
117-0206	No.8-32 x 3/8", Slotted Truss Head Screw	2
9900-029	No.8-32 Nut * * *	2
410-0206	Styrofoam Block * * *	1
	attaching parts, Cap Assembly to Merchandiser	
114-1043	No.10-32 x 1/2", Slotted Acorn Head Self-tapping Screw * * *	4
117-0212	Installation Instructions * * *	1

The Decorative Walnut Cap Side Panels for the Crown Seventy Two, Merchandisers are for use at the exposed end or ends of the banks of Merchandisers.

Part Number	Description	Quantity
117-0210	Right Side Panel	1
117-0211	Left Side Panel	1
	attaching parts Panel to Cap Assembly	
117-0206	No.8-32 x 3/8", Slotted Truss Head Screw	1*
9900-029	Nut, No.8-32 * * *	1*
	attaching parts - Panel to Merchandiser	

These instructions cover the following assembly and installation procedures:

- A. The Assembly of the 38 inch Decorative Walnut Cap Kit, part number 117-0200, for use on the Crown Seventy Two, 21CE-72, 22M-72, 18M-72, CM-72, MM-72, PM-72, ECM-72, EPM-72, 140 Showcase, 141 Showcase, HCM-72 and HCM-72C Merchandisers.
- B. The Assembly of the 38 inch Decorative Walnut Cap Kit, part number 117-0200, for use on the Crown Seventy Two, CDM-72, CDM-72A, CDM-312, HBM-72, HBM-72Q, HBM-614, and HBM-618 Merchandisers.
- C. The Assembly of a 38 inch Decorative Walnut Cap Kit, part number 417-0203, for use on the Crown Seventy Two, FM-72A, FM-72B, or FM-72C Merchandisers.
- D. The Assembly of the 36 inch Decorative Walnut Cap Kit, part number 413-0200, for use on the Crown Seventy Two, 400-72 "Wittenborg" Merchandiser.
- E. The Assembly of the 35-1/2 inch Decorative Walnut Cap Kit, part number 410-0200, for use on the Crown Seventy Two, ICM-72 Merchandiser.
- F. The Installation of the Decorative Walnut Cap Assembly on the Crown Seventy Two, 21CE-72, 22M-72, 18M-72, CM-72, MM-72, PM-72 CDM-72, CDM-72A, CDM-312, ECM-72, EPM-72, 140 Showcase, 141 Showcase, HBM-72, HBM-72Q, HBM-614, HBM-618, HCM-72, and HCM-72C Merchandisers.
- G. The installation of the Decorative Walnut Cap Assembly on the Crown Seventy Two, FM-72A, FM-72B, FM-72C or 400-72 "Wittenborg Merchandisers.
- H. The installation of the Decorative Walnut Cap Assembly on the Crown Seventy Two. ICM-72 Merchandiser.
- I. The installation of the Decorative Walnut Right Side Panel, part number 117-0210, or Left Side Panel, part number 117-0211, on a Crown Seventy Two, Merchandiser.
* * *

- A. The Assembly of the 38 inch Decorative Walnut Cap Kit, for use on the Crown Seventy Two, 21CE-72, 22M-72, 18M-72, CM-72, MM-72, PM-72, ECM-72, EPM-72, 140 Showcase, 141 Showcase, HCM-72 and HCM-72C Merchandisers.

NOTE

These Merchandisers have a Door which is hinged on the left side.

1. Lay the Cap Panel Assembly, part number 117-0201, face down on a flat surface with one of the long sides toward you.
2. Place a No.8-32 x 3/8" Truss Head Screw, part number 117-0206, in each of the 2 holes in the long size of the Cap Panel Assembly that is toward you. See Figure 1.
3. Place the Cap Spacer, part number 117-0203, which is shorter than the Cap Panel Assembly, on the 2 Screws installed in step A2. Be sure, the Cap Spacer is as far as possible to the left side of the Cap Panel as you look at it, and that the step on the Spacer causes the Spacer to extend beyond the edge of the Cap Panel Assembly. The hole on the right end of the Cap Spacer has through it, the Screw which is on the right end of the Cap Panel Assembly.
4. Place a Cap Panel Bracket, part number 117-0204, on each of the screws. The step in the base of the Cap Panel Bracket causes the base of the Spacer and Bracket to be even.

5. Place a No.8-32 Nut, part number 9900-029, on each of the Screws.
6. Attach the top of the Cap Panel Bracket to the Cap Panel Assembly with the remaining 2-No.8-32 x 3/8" Truss Head Screws and No.8-32 Nuts.
7. Tighten all 4 Screws and Nuts.
8. Remove the Styrofoam Block, part number 117-0209, from the Styrofoam Retaining Channel, part number 117-0208.
9. Place the Styrofoam Retaining Channel across the Cap Panel Brackets with the open side of the Channel away from you. Align the 2 holes in the Channel with the holes in the Brackets. See Figure 2.
10. Attach the Channel to the Brackets with 2-No.8-32 x 3/8" Truss Head Screws and 2-No.8-32 Nuts.
11. Slide the Styrofoam Block into the Channel.

* * *

- B. The Assembly of the 38 inch Decorative Walnut Cap Kit for use on the Crown Seventy Two, CDM-72, CDM-72A, CDM-312, HBM-72, HBM-72Q, HBM-614, and HBM-618 Merchandisers.

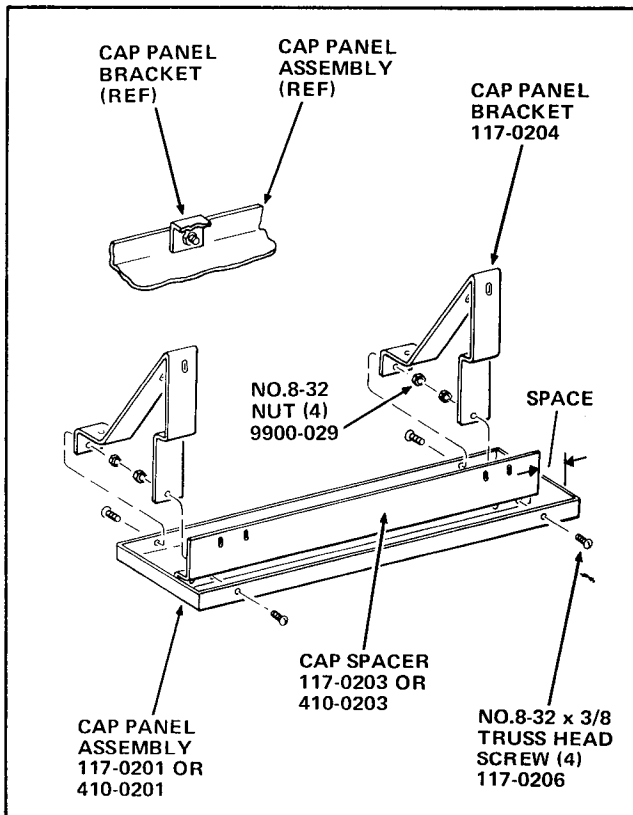


FIGURE 1

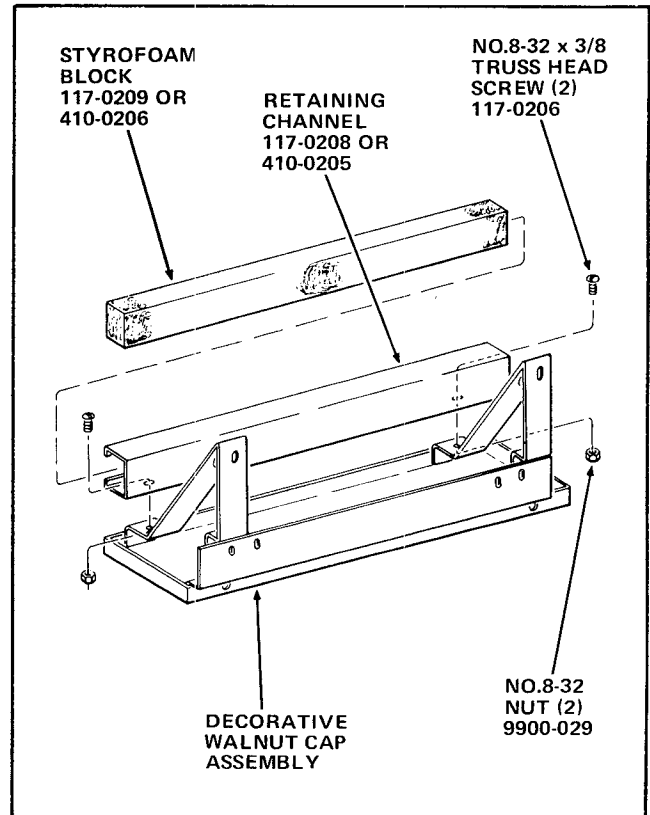


FIGURE 2

NOTE

These Merchandisers have a Door which is hinged on the right side.

1. Lay the Cap Panel Assembly, part number 117-0201 face down on a flat surface with one of the long sides toward you. See Figure 3.

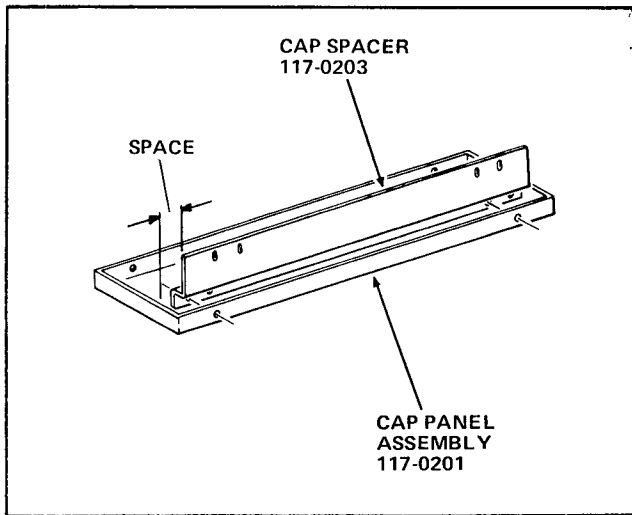


FIGURE 3

2. Place a No.8-32 x 3/8" Truss Head Screw, part number 117-0206, in each of the 2 holes in the long side of the Cap Panel Assembly that is toward you. See Figure 1.
3. Place the Cap Spacer, part number 117-0203, which is shorter than the Cap Panel Assembly, on the 2 Screws installed in step B2. Be sure, the Cap Spacer is as far as possible to the right side of the Cap Panel as you look at it, and that the step on the Spacer causes the Spacer to extend beyond the edge of the Cap Panel Assembly. The hole on the left end of the Cap Spacer has through it, the Screw which is on the left end of the Cap Panel Assembly. See Figure 3.
4. Place a Cap Panel Bracket, part number 117-0204, on each of the screws. The step in the base of the Cap Panel Bracket causes the base of the Spacer and Bracket to be even. See Figure 1.
5. Place a No.8-32 Nut, part number 9900-029, on each of the Screws.
6. Attach the top of the Cap Panel Bracket to the Cap Panel Assembly with the remaining 2-No.8-32 x 3/8" Truss Head Screws and No.8-32 Nuts.
7. Tighten all 4 Screws and Nuts.

8. Follow steps A8 through A11.

- C. Assembly of the 38 inch Decorative Walnut Cap Kit, for use on the Crown Seventy Two, FM-72A, FM-72B, or FM-72C Merchandisers.

1. Lay the Cap Panel Assembly, part number 117-0201, face down on a flat surface with one of the long sides toward you. See Figure 4.

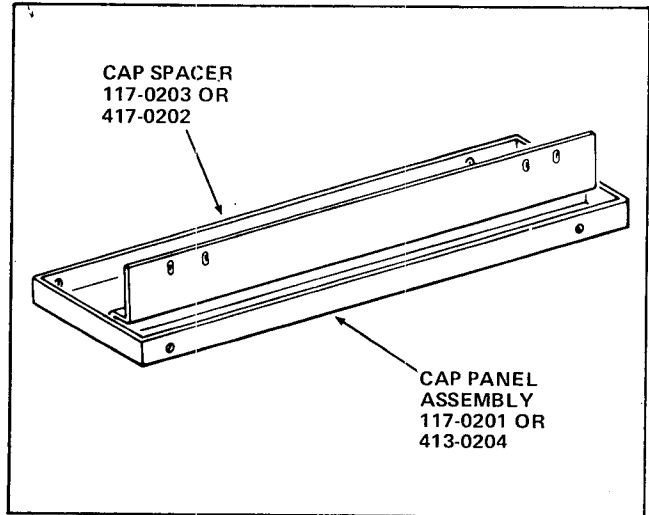


FIGURE 4

2. Place a No.8-32 x 3/8" Truss Head Screw, part number 117-0206, in each of the 2 holes in the long side of the Cap Panel Assembly that is toward you. See Figure 1.
3. Place the Cap Spacer, part number 417-0202, on the 2 Screws installed in step C2. Be sure that the step on the Spacer causes the Spacer to extend beyond the edge of the Cap Panel Assembly.
4. Place a Cap Panel Bracket, part number 117-0204, on each of the screws. The step in the base of the Cap Panel Bracket causes the base of the Spacer and Bracket to be even. See Figure 1.
5. Place a No.8-32 Nut, part number 9900-029, on each of the Screws.
6. Attach the top of the Cap Panel Bracket to the Cap Panel Assembly with the remaining 2-No.8-32 x 3/8" Truss Head Screws and No.8-32 Nuts.
7. Tighten all 4 Screws and Nuts.
8. Follow steps A8 through A11.

* * *

- D. The Assembly of the 36 inch Decorative Walnut Cap Kit for use on the Crown Seventy Two, 400-72, "Wittenborg" Merchandiser.

1. Lay the Cap Panel Assembly, part number 413-0204, face down on a flat surface with one of the long sides toward you. See Figure 4.
2. Place a No.8-32 x 3/8" Truss Head Screw, part number 117-0206, in each of the 2 holes in the long side of the Cap Panel Assembly that is toward you. See Figure 1.
3. Place the Cap Spacer, part number 413-0202, on the 2 Screws installed in step D2. Be sure that the step on the Spacer causes the Spacer to extend beyond the edge of the Cap Panel Assembly.
4. Place a Cap Panel Bracket, part number 117-0204, on each of the Screws. The step in the base of the Cap Panel Bracket causes the base of the Spacer and Bracket to be even. See Figure 1.
5. Place a No.8-32 Nut, part number 9900-029, on each of the Screws.
6. Attach the top of the Cap Panel Bracket to the Cap Panel Assembly with the remaining 2-No.8-32 x 3/8" Truss Head Screws and No.8-32 Nuts.
7. Tighten all 4 Screws and Nuts.
8. Follow steps A8 through A11.
* * *

E. The Assembly of the 35-1/2 inch Decorative Walnut Cap Kit Assembly, for use on the Crown Seventy Two, ICM-72 Merchandiser.

NOTE

This Merchandiser has a Door which is hinged at the left side.

1. Lay the Cap Panel Assembly, part number 410-0201 face down on a flat surface with one of the long sides toward you. See Figure 1.
2. Place a No.8-32 x 3/8" Truss Head Screw, part number 117-0206, in each of the 2 holes in the long side of the Cap Panel Assembly that is toward you. See Figure 1.
3. Place the Cap Spacer, part number 410-0203, which is shorter than the Cap Panel Assembly, on the 2 Screws installed in step E2. Be sure, the Cap Spacer is as far as possible to the left side of the Cap Panel as you look at it, and that the step on the Spacer causes the Spacer to extend beyond the edge of the Cap Panel Assembly. The hole on the right of the Cap Spacer has through it, the Screw which is on the right end of the Cap Panel Assembly.

4. Place a Cap Panel Bracket, part number 117-0204, on each of the Screws. The step in the base of the Cap Panel Bracket causes the base of the Spacer and Bracket to be even.
5. Place a No.8-32 Nut, part number 9900-029, on each of the Screws.
6. Attach the top of the Cap Panel Bracket to the Cap Panel Assembly with the remaining 2-No.8-32 x 3/8" Truss Head Screws and No.8-32 Nuts.
7. Tighten all 4 Screws and Nuts.
8. Remove the Styrofoam Block, part number 410-0206 from the Styrofoam Retaining Channel, part number 410-0205.
9. Place the Styrofoam Retaining Channel across the Cap Panel Brackets with the open side of the Channel away from you. Align the 2 holes in the Channel with the holes in the Brackets. See Figure 2.
10. Attach the Channel to the Bracket with 2-No.8-32 x 3/8" Truss Head Screws and 2-No.8-32 Nuts.
11. Slide the Styrofoam Block into the Channel.
* * *

F. The installation of the Decorative Walnut Cap Assembly on the Crown Seventy Two, 21CE-72, 22M-72, 18M-72, CM-72, MM-72, PM-72, CDM-72, CDM-72A, CDM-312, ECM-72, EPM-72, 140 Showcase, 141 Showcase, HBM-72, HBM-72Q, HBM-614, HBM-618, HCM-72 and HCM-72C Merchandisers.

NOTE

Some of these Merchandisers have Doors which are hinged at the left side, and some have Doors which are hinged on the right side. Be sure the Decorative Walnut Cap assemblies that are to be mounted on these Merchandisers are assembled in accord with the proper instructions. Review procedures A and B.

1. Use a nail set or a punch to remove the 4 knockouts at the front top of the Merchandiser Cabinet. See Figure 5.

Attaching the Decorative Walnut Cap Assembly to the Merchandiser Cabinet top.

2. Place the Decorative Walnut Cap Assembly on the Merchandiser Cabinet top. Align the 2 elongated holes in the Cap Spacer and the elongated hole in each of the Brackets with the 4 holes in the top of the Merchandiser.

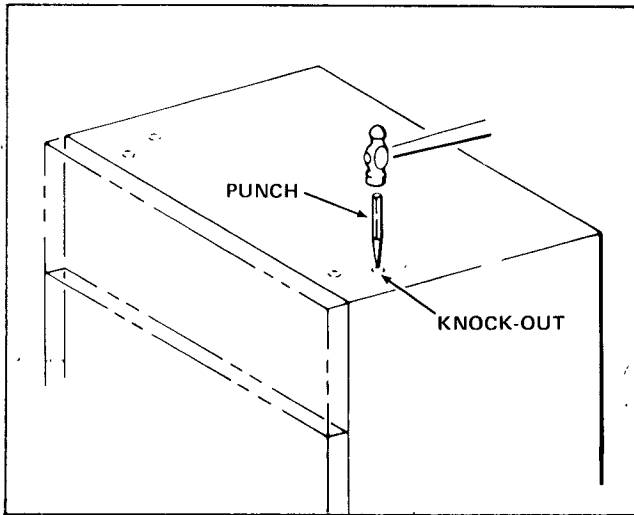


FIGURE 5

3. Attach the Cap Assembly to the Merchandiser Cabinet Top with the 4-No.10-32 x 1/2" Slotted Acorn Hd., Self-tapping Screws, part number 114-1043. Do not tighten the screws. The larger holes in the two Brackets are screwdriver clearance holes.
4. Align the sides of the Cap Panel with the sides of the Merchandiser and the front face of the Cap Panel with Upper Panel of the Merchandiser Door. See Figure 6.
5. Tighten the 4-No.10-32 x 1/2" Self-tapping Screws.

* * *

G. Installation of the Decorative Walnut Cap Assembly on the Crown Seventy Two, FM-72A, FM-72B, FM-72C, or 400-72 "Wittenborg" Merchandisers.

1. Place the Decorative Walnut Cap Assembly on the top of the Merchandiser Cabinet with the sides of the Cap Panel flush with the sides of the Merchandiser. The front face of the Cap Panel is to be aligned with the front of the Merchandiser Cabinet. See Figure 7.
2. There are 2 elongated holes in the Cap Spacer and 1 elongated hole in each of the Bracket. Mark the location of the center of each of these holes onto the top of the Cabinet.
3. Remove the Cap Panel Assembly from the Cabinet and drill a .156" diameter (No.21 Drill) hole at each of the 4 marked spots.
4. Place the Decorative Walnut Cap Assembly on the Merchandiser Cabinet Top. Align the 2 elongated holes in the Cap Spacer and the elongated hole in each of the Brackets with the 4 holes in the top of the Merchandiser.
5. Attach the Cap Assembly to the Merchandiser Cabinet Top with the 4-No.10-32 x 1/2" Slotted

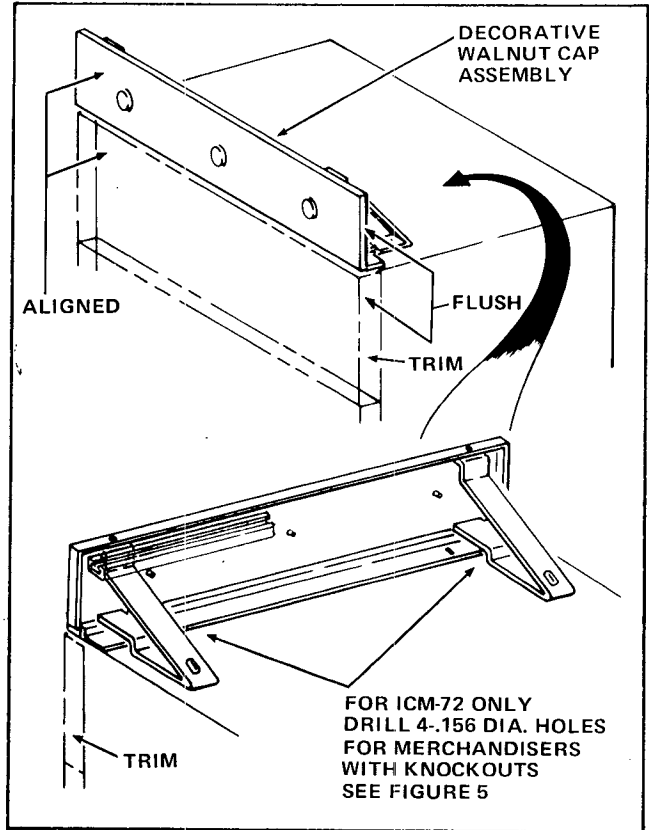


FIGURE 6

Acorn Head, Self-tapping Screws, part number 114-1043. Do not tighten the screws.

6. Align the sides of the Cap Panel with the sides of the Merchandiser and the front face of the Cap Panel with the front of the Merchandiser Door. See Figure 7.
7. Tighten the 4-No.10-32 x 1/2" Self-tapping Screws.

H. The installation of the Decorative Walnut Cap Assembly on the Crown Seventy Two, Line ICM-72 Merchandiser.

1. Place the Decorative Walnut Cap Assembly on the top of the Merchandiser Cabinet with the sides of the Cap Panel flush with the sides of the Merchandiser. The front face of the Cap Panel is to be aligned with the Upper Panel of the Merchandiser Door. See Figure 5.
2. There are 2 elongated holes in the Cap Spacer and 1 elongated hole in each of the Brackets. Mark the location of the center of each of these holes onto the top of the Cabinet.
3. Remove the Cap Panel Assembly from the Cabinet and drill a .156" diameter (No.21 Drill) hole at each of the 4 marked spots.

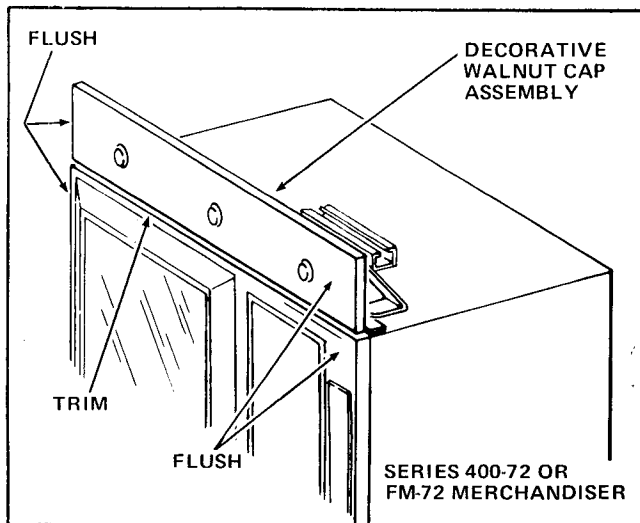


FIGURE 7

4. Place the Decorative Walnut Cap Assembly on the Merchandiser Cabinet Top. Align the 2 elongated holes in the Cap Spacer and the elongated hole in each of the Brackets with the 4 holes in the top of the Merchandiser.

5. Attach the Cap Assembly to the Merchandiser Cabinet Top with the 4-No.10-32 x 1/2" Slotted Acorn Hd., Self-tapping Screws, part number 114-1043. Do not tighten the screws.

6. Align the sides of the Cap Panel with the sides of the Merchandiser and the front face of the Cap Panel with the front of the Merchandiser Door. See Figure 5.

7. Tighten the 4-No.10-32 x 1/2" Self-tapping Screws.

I. The installation of the Decorative Walnut Right Side or Left Side Panel on a Crown Seventy Two, Merchandiser.

1. Place the Side Panel on the top of the Merchandiser with the lip with the elongated hole in it, behind the Decorative Walnut Cap. Align the hole in the lip with the hole in the Cap. See Figure 8.

2. Temporarily attach the Side Panel to the Decorative Walnut Panel with the No.8-32 x 3/8" Truss Head Screw, part number 117-0206, and the No.8-32 Nut, part number 9900-029.

3. Align the Side Panel with the sides of the Merchandiser Cabinet.

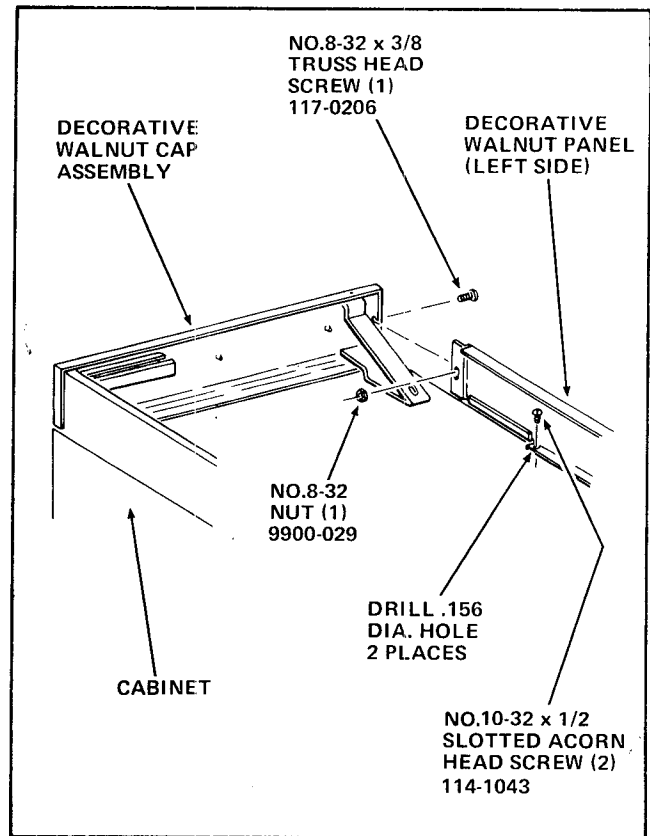


FIGURE 8

4. There are 2 holes in the base of the Side Panel. Mark the location of the center of each of these holes onto the top of the Cabinet.

5. Remove the Side Panel from the Merchandiser and drill a .156" diameter (No.21 Drill) hole at each of the 2 marked spots.

6. Place the Side Panel on the Merchandiser per step 11 and attach it per step 12.

7. Attach the Side Panel to the Merchandiser Cabinet top with the 4-No.10-32 x 1/2", Slotted Acorn Head, Self-tapping Screws, part number 114-1043. Do not tighten the screws.

8. Align the Side Panel with the Cabinet Side and tighten the 3 Screws and the Nut.

* * *

In side-by-side installation, the Decorative Walnut Caps on adjacent Merchandisers, may be attached to each other with a screw and nut. These parts are not supplied with the Kit.